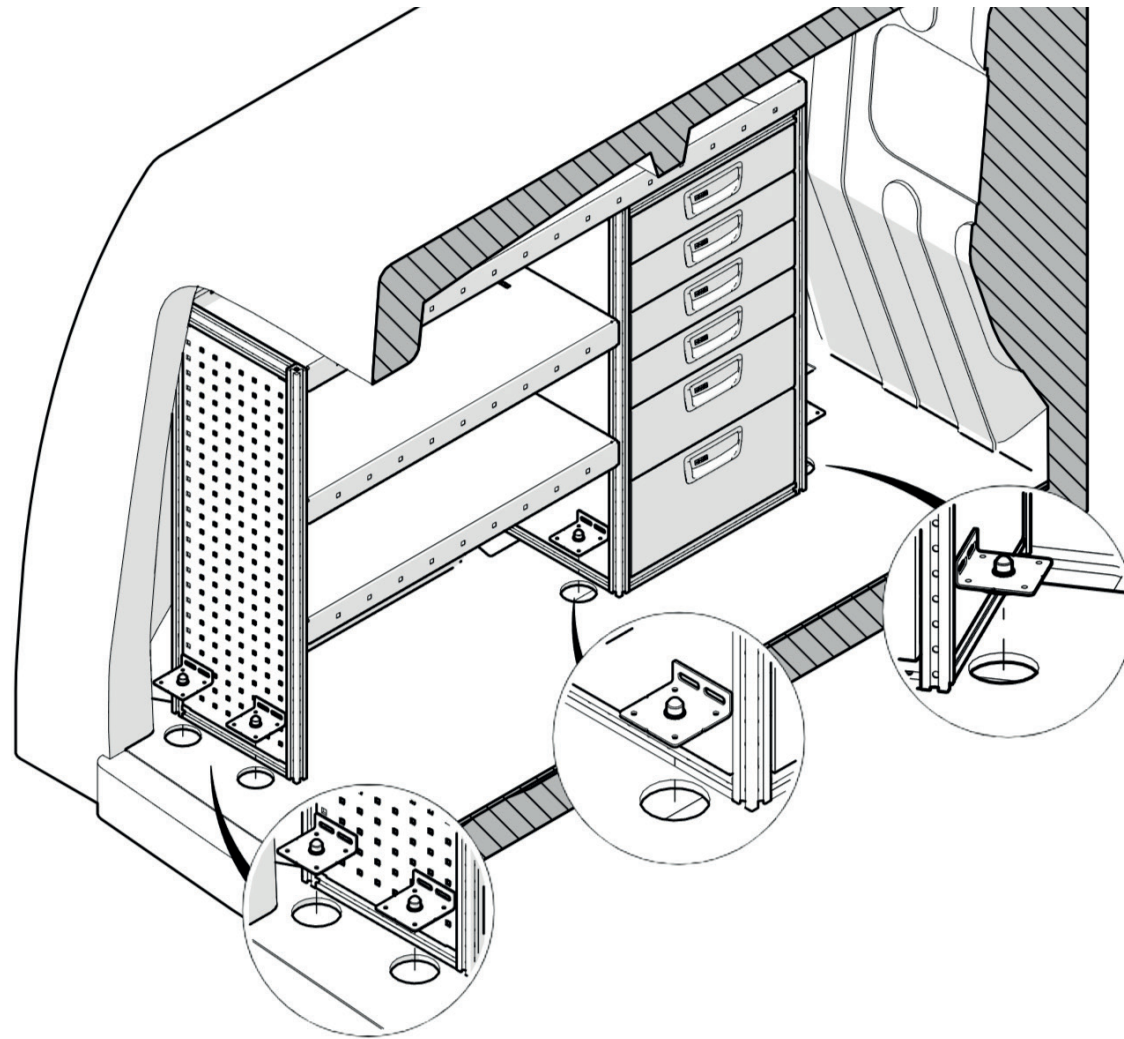


Installation guide

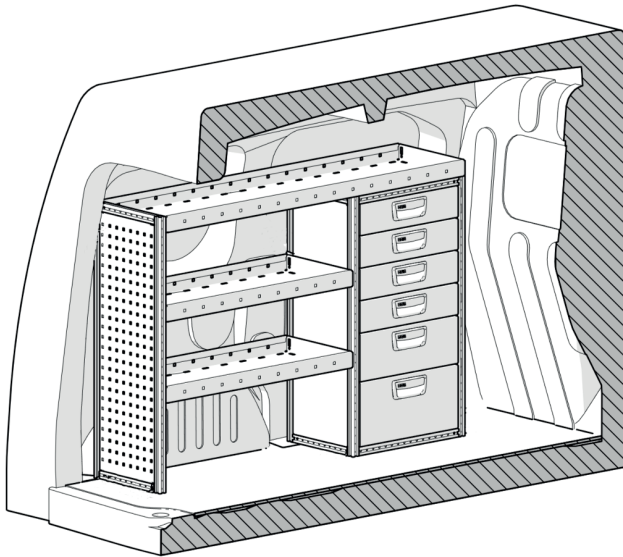
SMART Floor brackets



1 Prepare

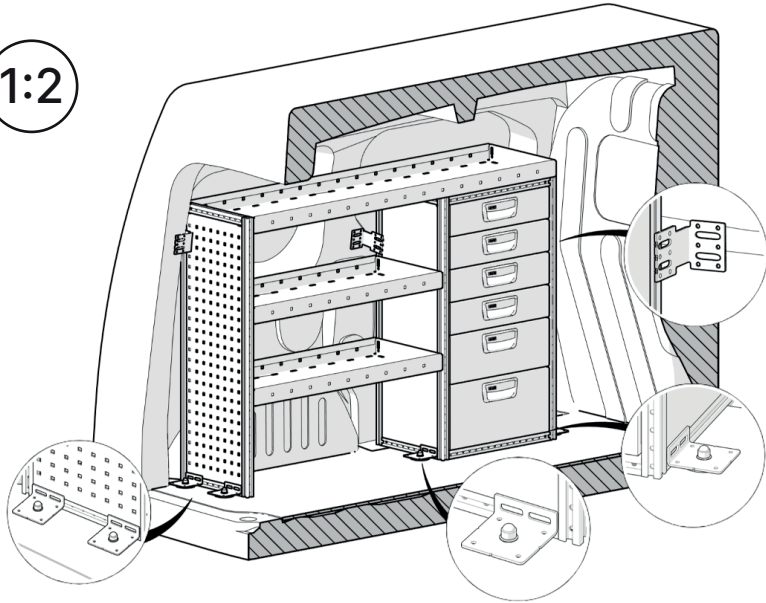
- 1:1 Position racking kit and make geometry check
- 1:2 Plan the installation

1:1



Position racking kit in vehicle and make geometry check

1:2



Plan the installation

- Select which brackets to use. Make sure you have the correct number of brackets and that they are possible to install.
- Make sure you have everything you need for the installation: products, installation materials and tools.



For the wall you require a **minimum of 5 brackets** depending on size and weight of racking.

For the floor you require a **minimum of 4-6 brackets** depending on size and weight of racking.

Installation material



Glue gun
Art no: 39260



Glue Sikaflex 668
Art no: 39240-04



Glue nozzle
Art no: 39315



Protection mask
Art no: 39253



Protection glasses
Art no: 39255



Protection gloves, 100 pcs
Art no: 39250 (S), 39251 (M)
39252 (L)



Primer Sponge
Art no: 39231



Primer 507
Art no: 39230-04



Sika Cleaner P
Art no: 39236



Hole saw Ø68
Art no: 39865-04



Hole saw holder
Art no: 39866-04



Drill template
Art no: 39860-04

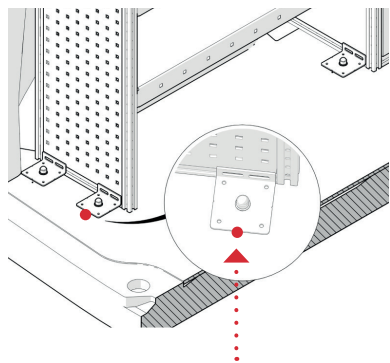
2 Drill the holes

2:1 Use SMART Floor bracket to find center position

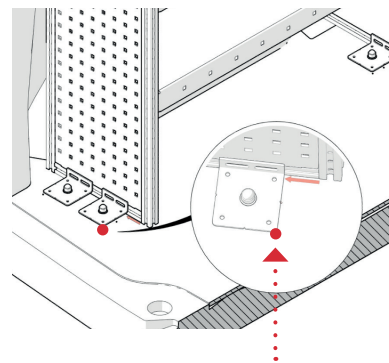
2:2 Position drill template

2:3 Drill the holes

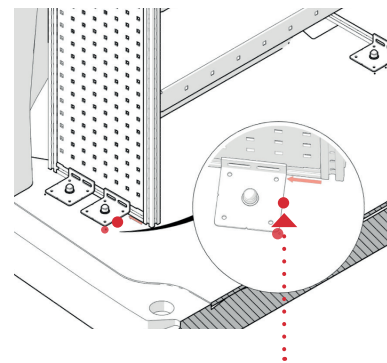
2:1 Use SMART Floor bracket to find center position




 Mark

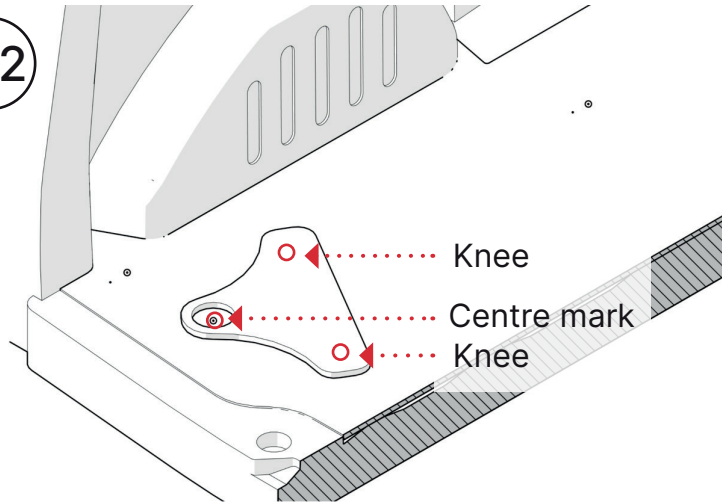


Slide bracket until the corner meets the first mark



 Mark. This is the center of the bracket

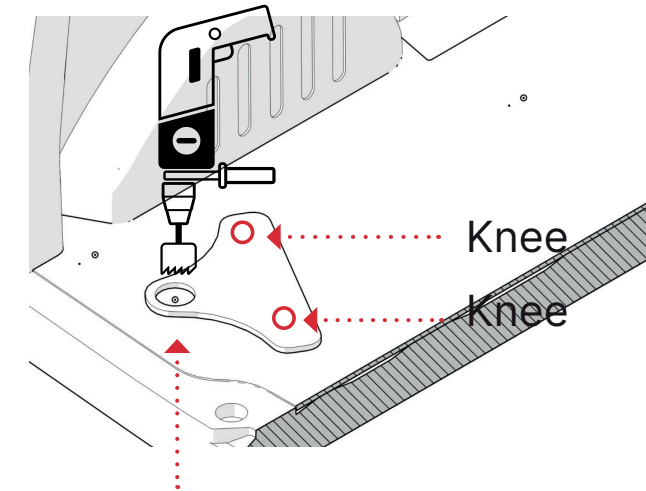
2:2



Position drill template

Remove racking kit from vehicle and position drill template, rubber side down, centered over the centre mark. Use your body weight to apply pressure to the template when drilling.

2:3



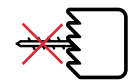
Drill the holes

Use a 68mm hole saw **WITHOUT** the centre drill to avoid drilling or damaging the vehicle chassis. Don't apply too much pressure to the drill. Use the high-speed setting to initialise the hole.

CAUTION! The hole saw can damage the floor very easily. Stop drilling as soon as you cut through the floor material to avoid damaging the bodywork underneath.



i



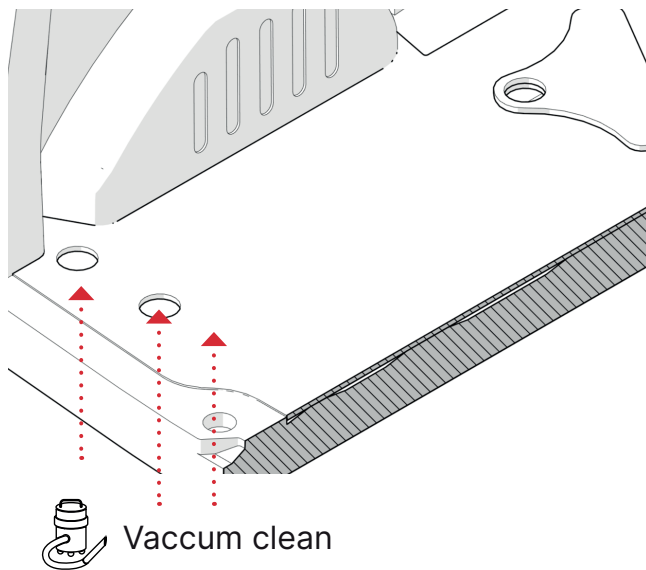
3 Clean & Prime

3:1 Vacuum clean

3:2 Clean brackets and metal vehicle floor

3:3 Prime hole and brackets

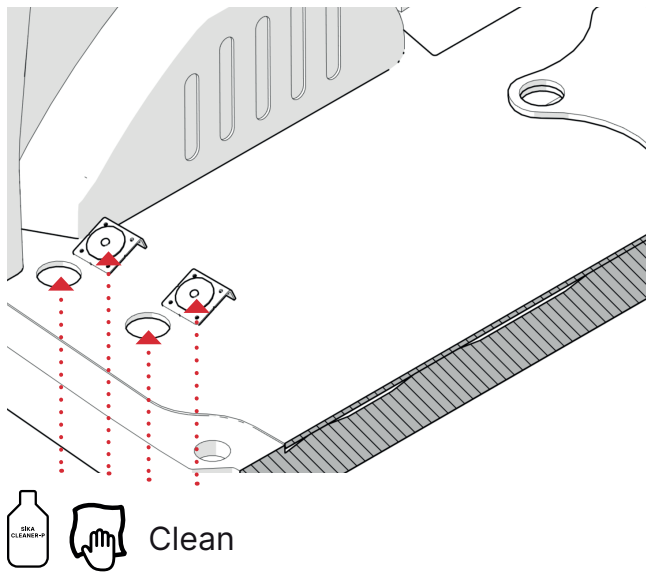
3:1



Vaccum clean

Vacuum clean the complete area, both inside and around the hole, thoroughly. **Ensure there are no shavings left in the vehicle.**

3:2



Clean brackets and metal vehicle floor

Clean both SMART Floor brackets and metal vehicle floor with *SIKA Cleaner P* and a disposable cloth. Due to soak/vapor issues, **DO NOT pour or spray cleaning agent directly into the drilled holes**. This may cause the primer not to work properly.

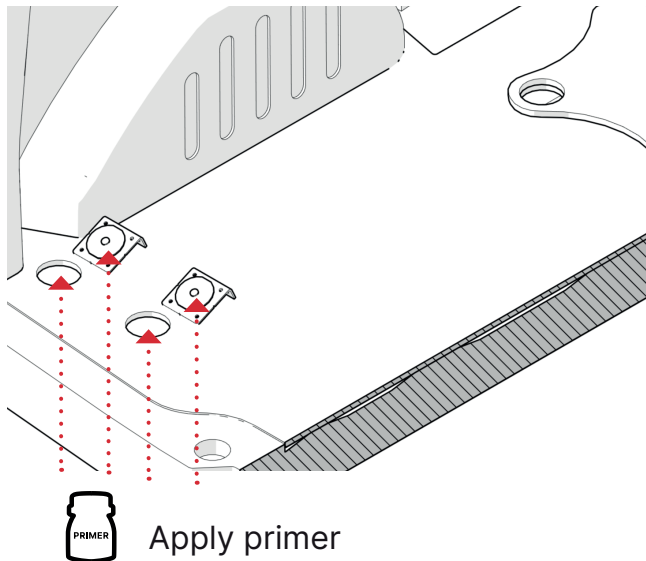
Wait for the cleaner to dry



Wear gloves



3:3



Prime hole and brackets

Apply *Primer 507* to the visible area of the hole. Start with the contour and work your way to the centre. If the vehicle paint on the metal floor was damaged by the hole saw, the primer will work as a corrosion protector.

Prime the underside of the SMART Floor brackets.

Let cure for 10 minutes



Wear gloves, safety glasses and gas mask.



Let the primer cure for 10 minutes

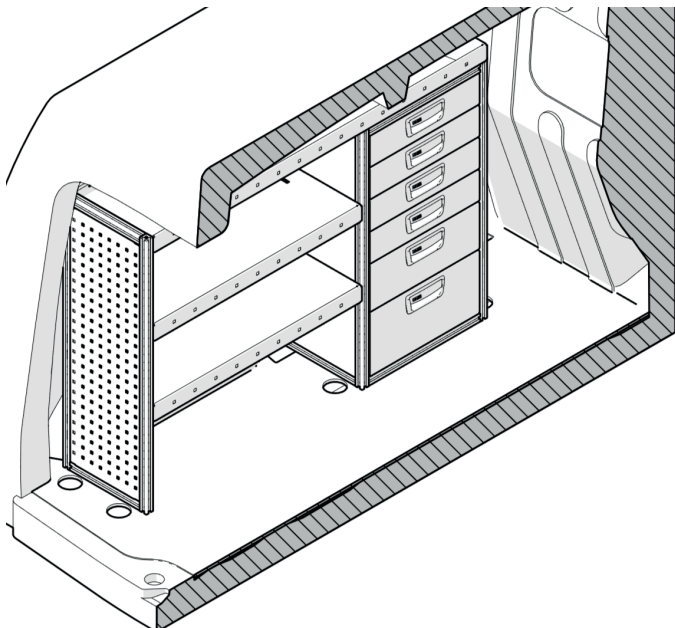
4 Glue

4:1 Position racking kit in van

4:2 Glue

4:3 Secure brackets to kit and floor

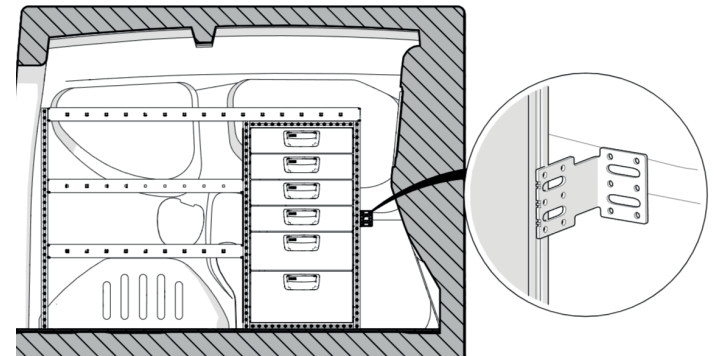
4:1



Position racking kit in van

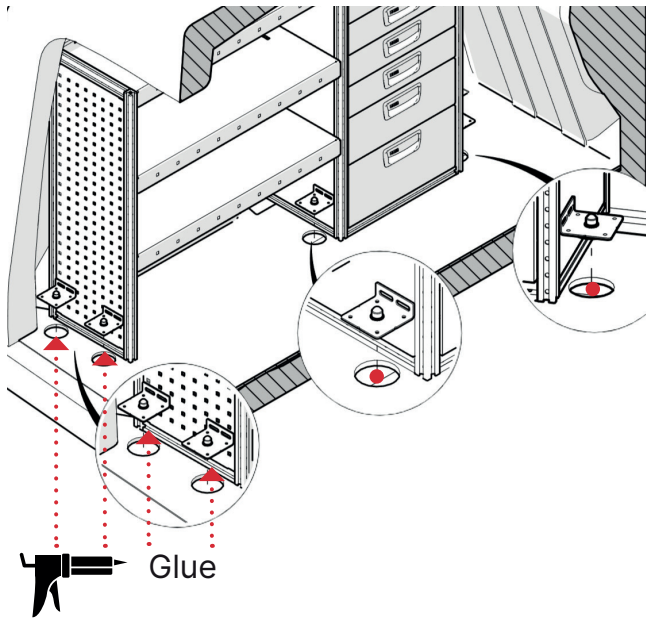
Find the correct position for the kit.

Install wall brackets which would be hard to reach at a later stage, for example behind drawers or close to the bulkhead.



Installation guide – SMART Floor bracket

4:2



Glue

Use glue *Sikaflex 668*. The amount of glue required will vary depending on floor thickness, vehicle model and hole position.

Deep hole: apply glue to the floor and underside of the bracket.

Shallow hole: Glue bracket only.

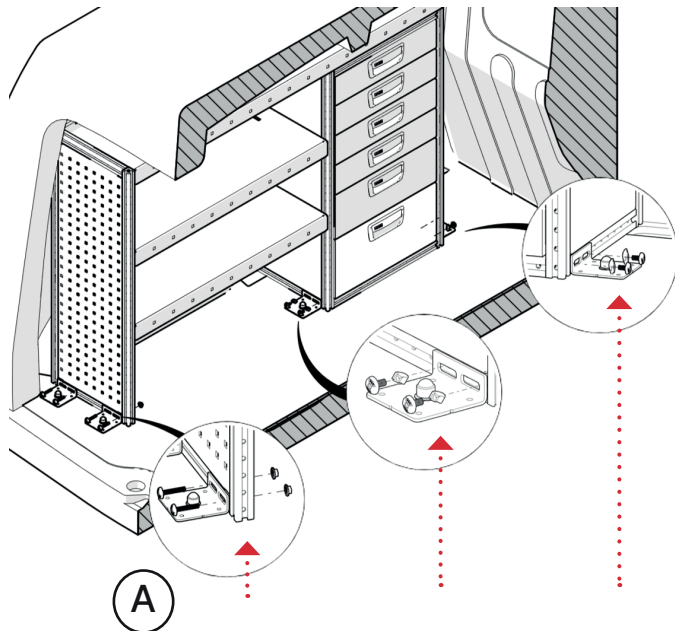
Position the bracket and apply downward pressure to ensure the amount of glue used is sufficient for good bonding between bracket and floor.

i

Wear gloves, safty glasses and gas mask.



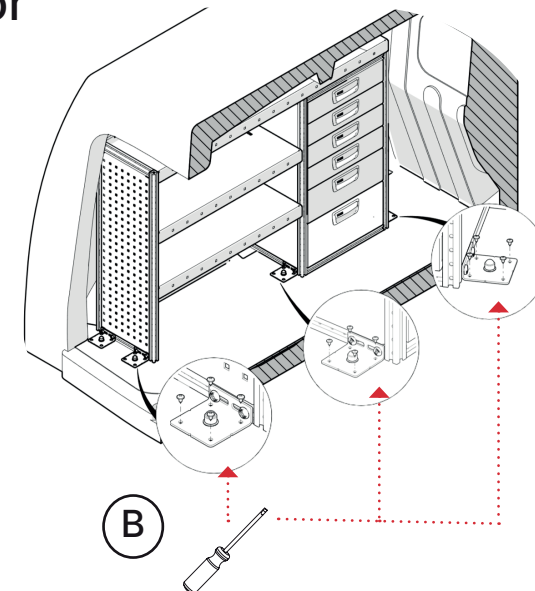
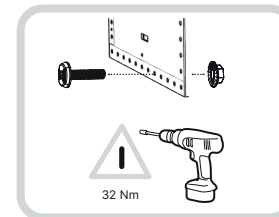
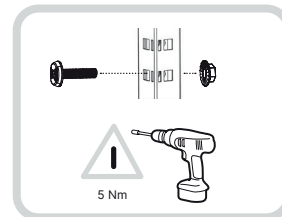
4:3



Secure brackets to kit and floor

A) Secure the SMART Floor brackets to the racking kit using nuts and bolts.

B) Fix the SMART Floor brackets to the floor using self-tapping screws.

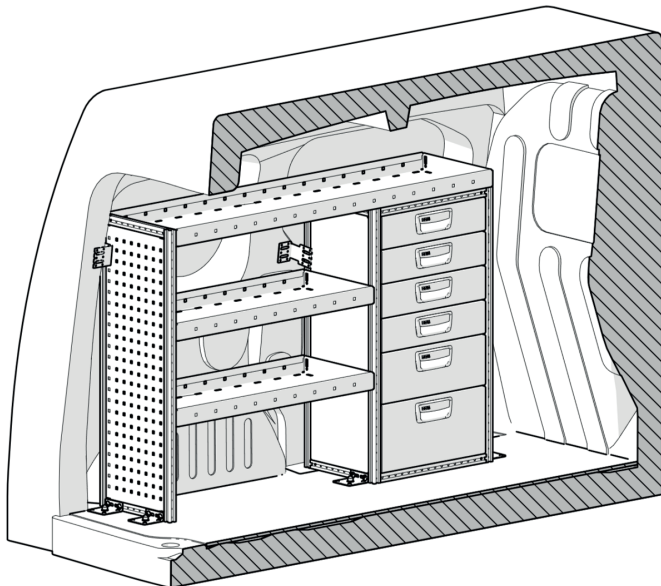


5 Finalise

5:1 Finalise the installation

5:2 Quality Check

5:1



Finalise the installation

Install the remaining wall brackets etc.

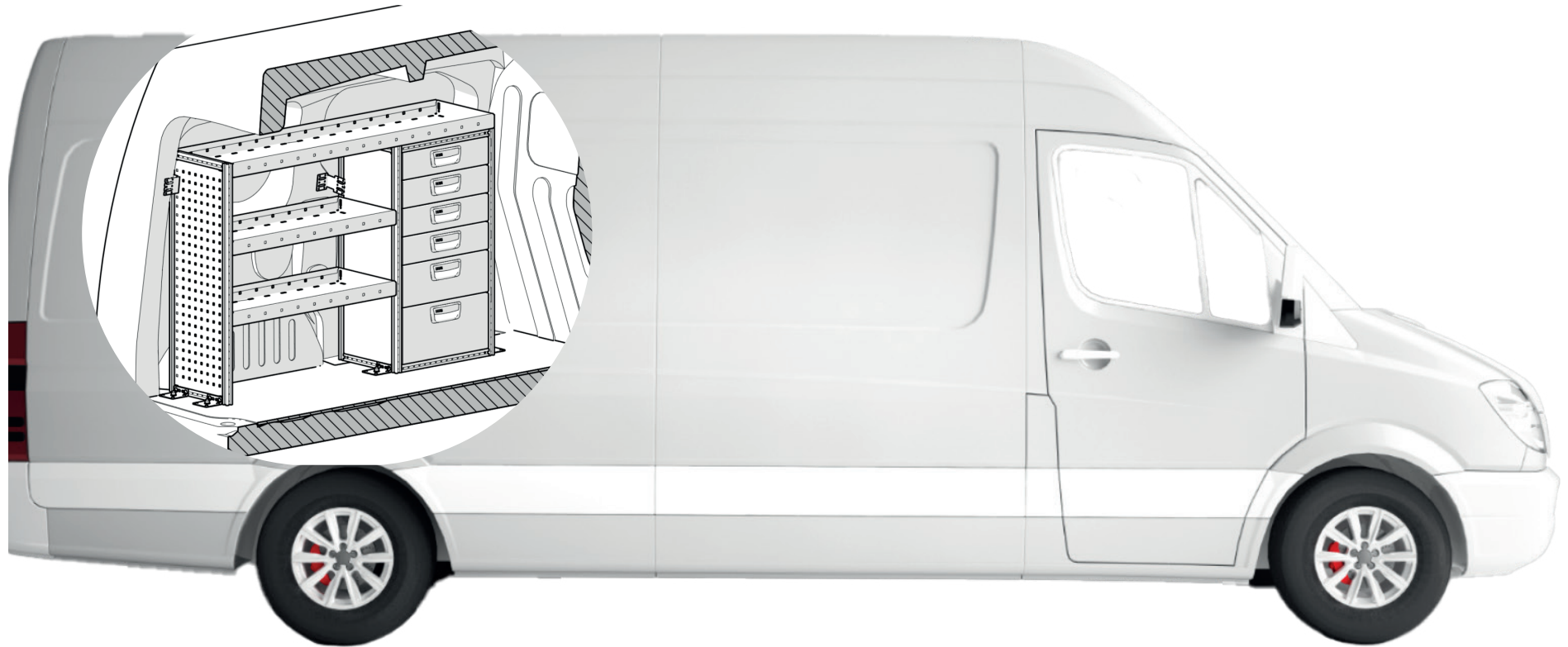
Let glue cure for minimum 12 hours

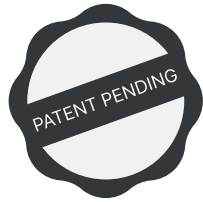


5:2

Quality Check

Before releasing the vehicle to the customer, ensure that all bolts and fixings are tightened and that the build is according to specification.





Installation guide
SMART Floor bracket

