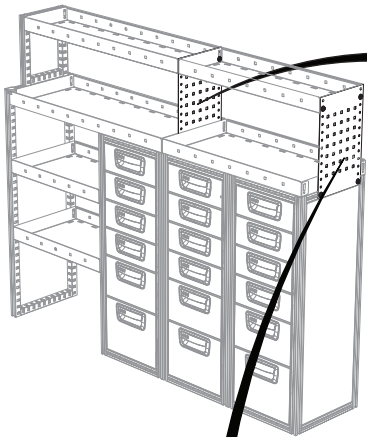
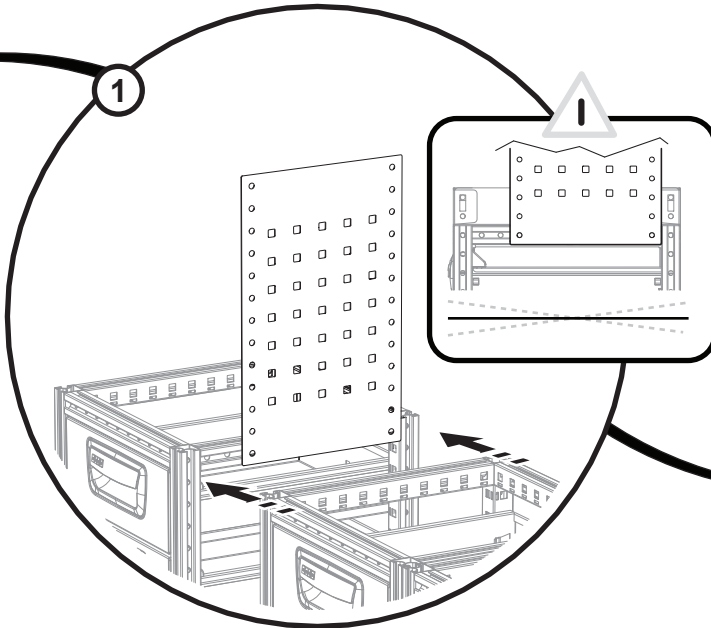


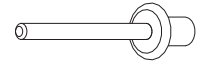
1



1

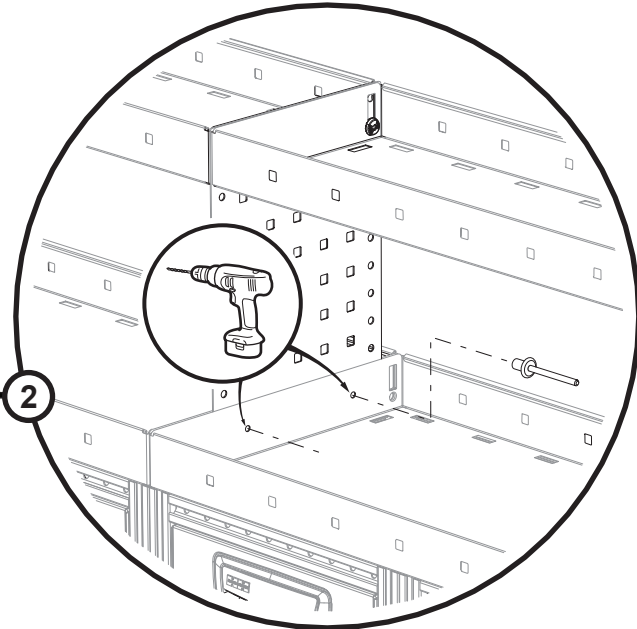


Ø 5 mm

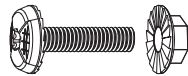


2x (4.8 x 8)

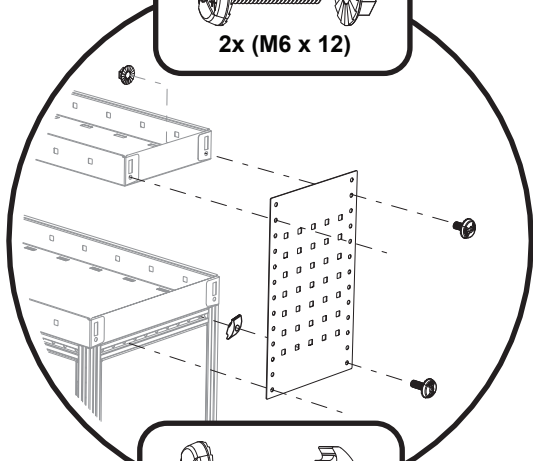
2



2



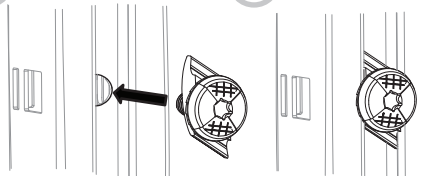
2x (M6 x 12)



2x (M6 x 16)

1

2



3



Max. 11 Nm