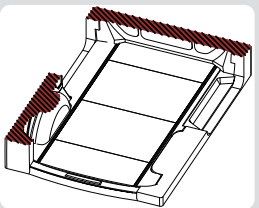
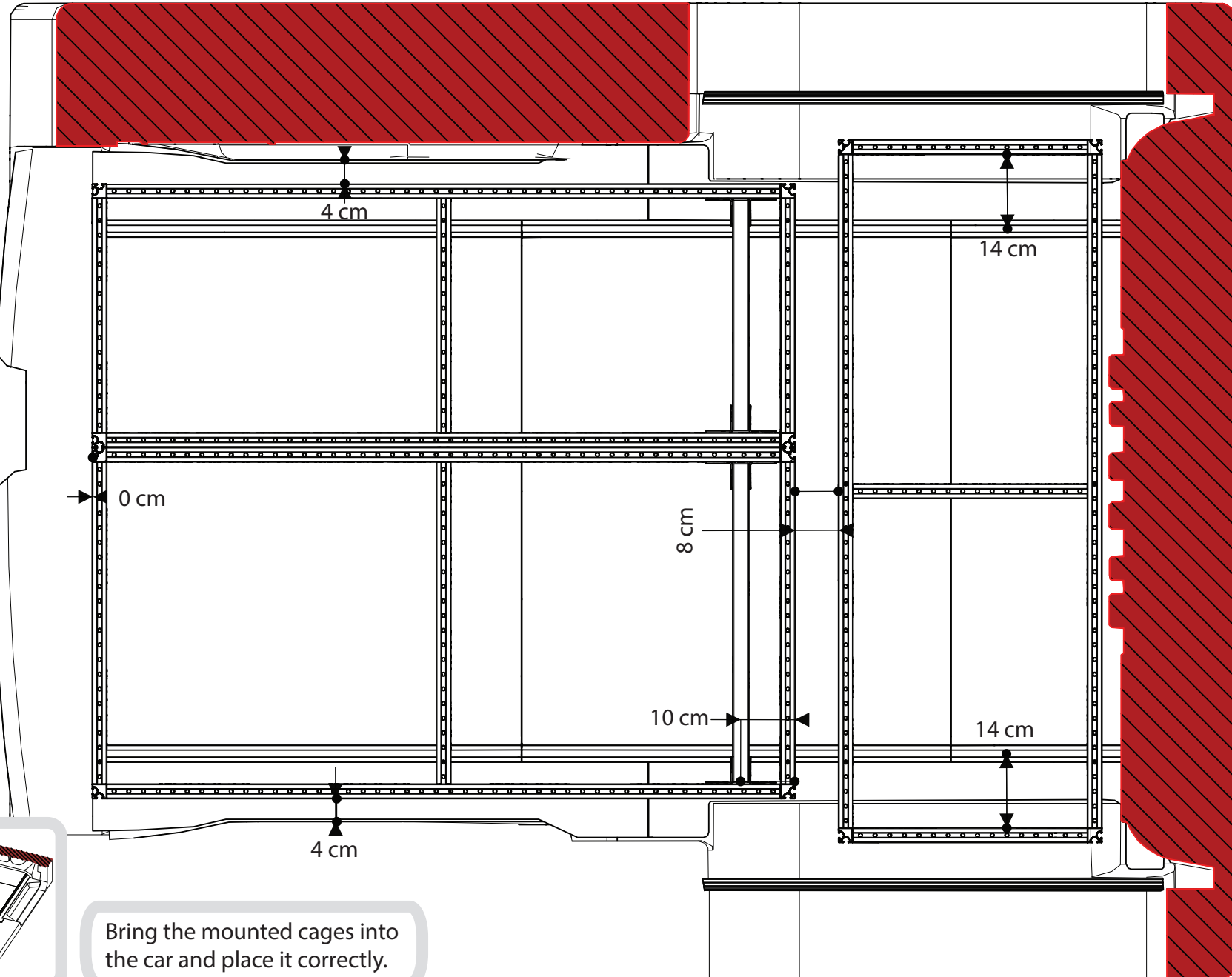
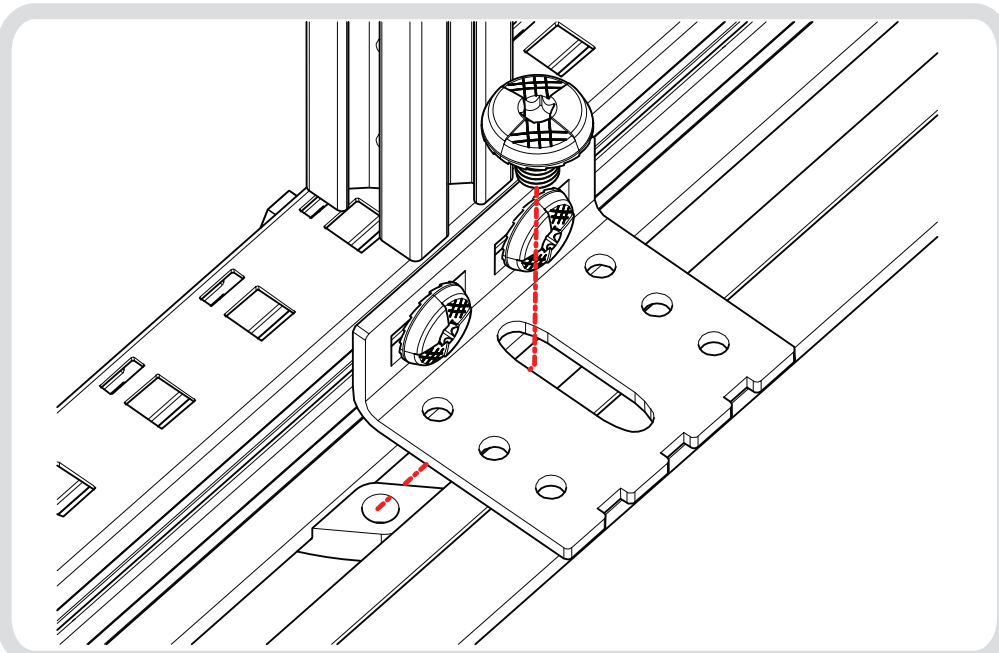
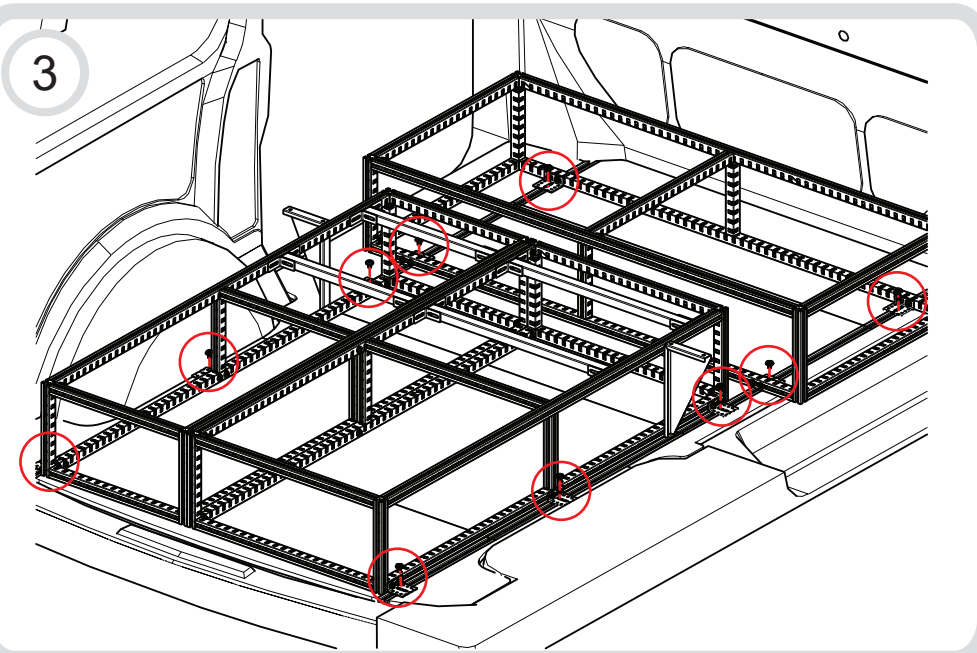
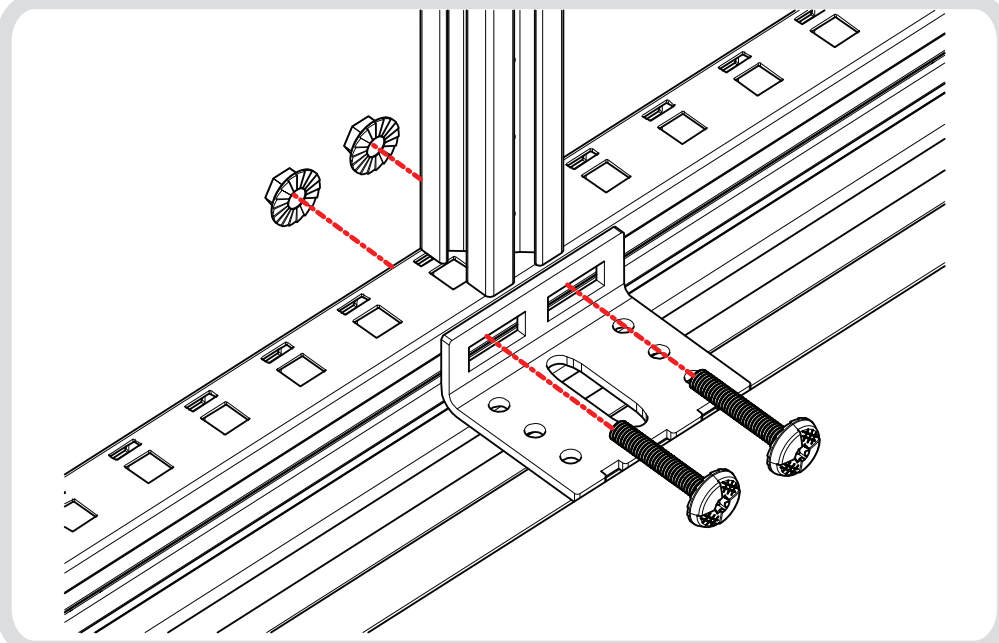
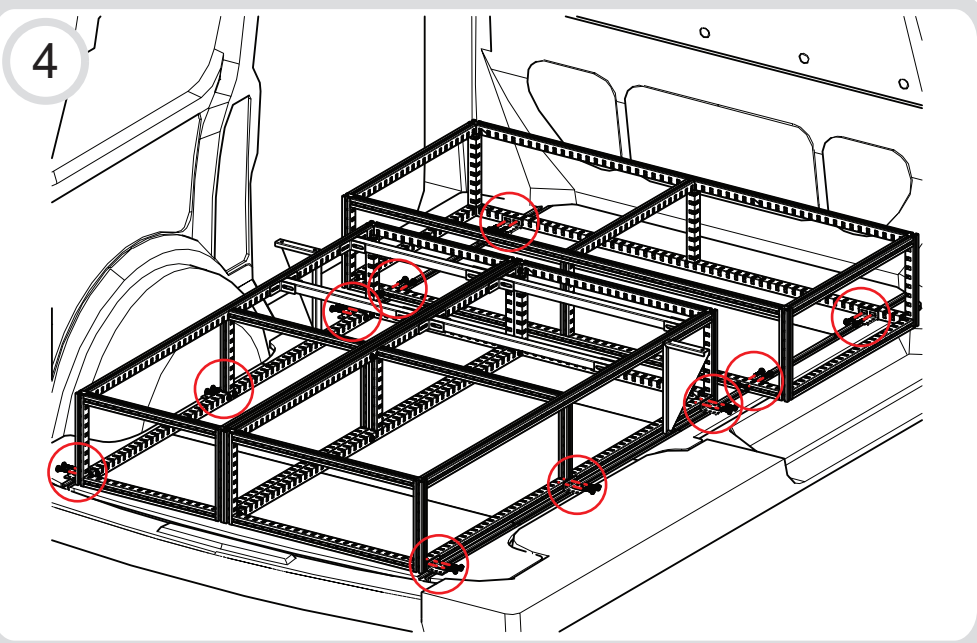


4

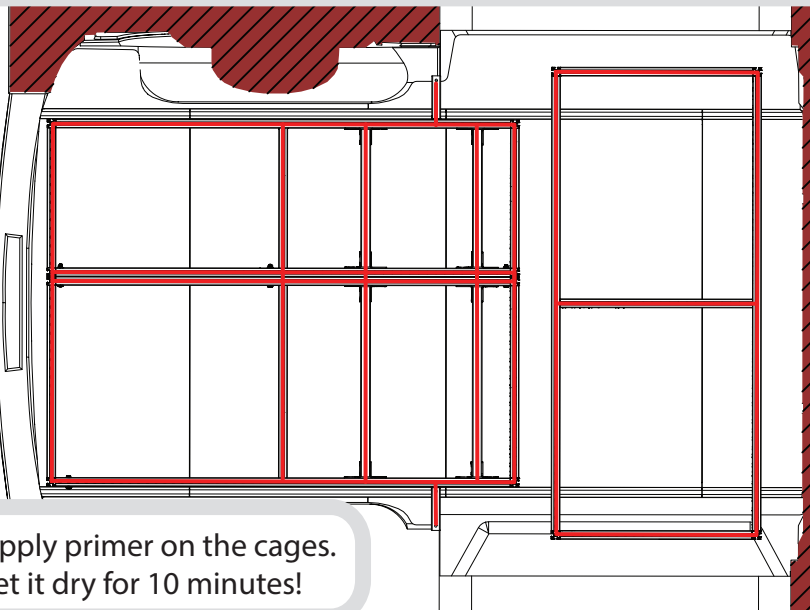
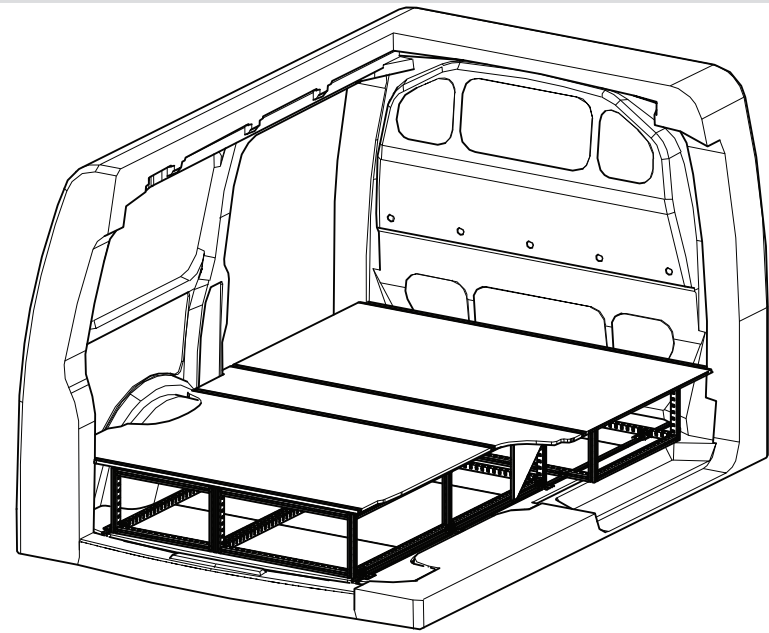
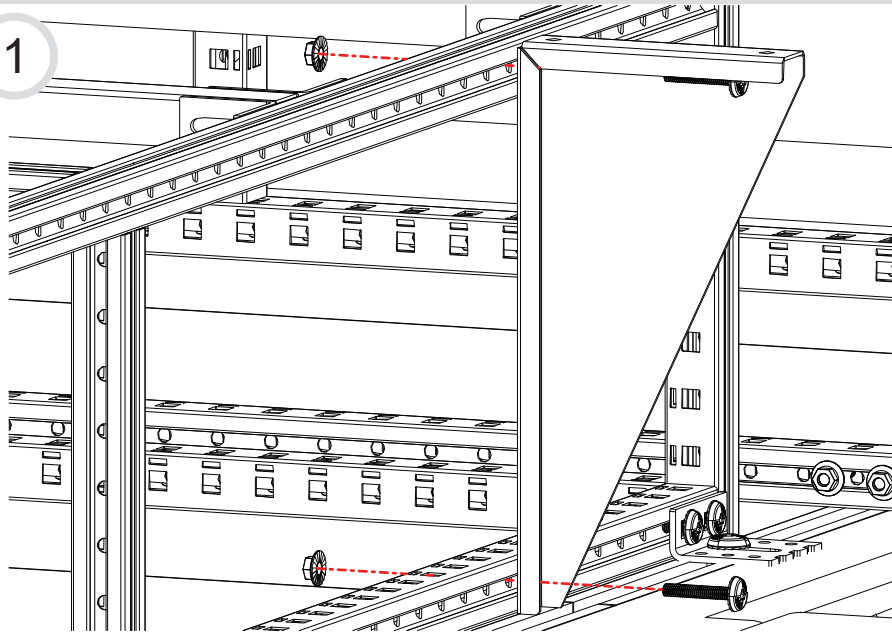


Bring the mounted cages into the car and place it correctly.





1



Apply primer on the cages.  
Let it dry for 10 minutes!

**SAFETY GEAR FOR PRIMER**



**EQUIPMENT FOR PRIMER**

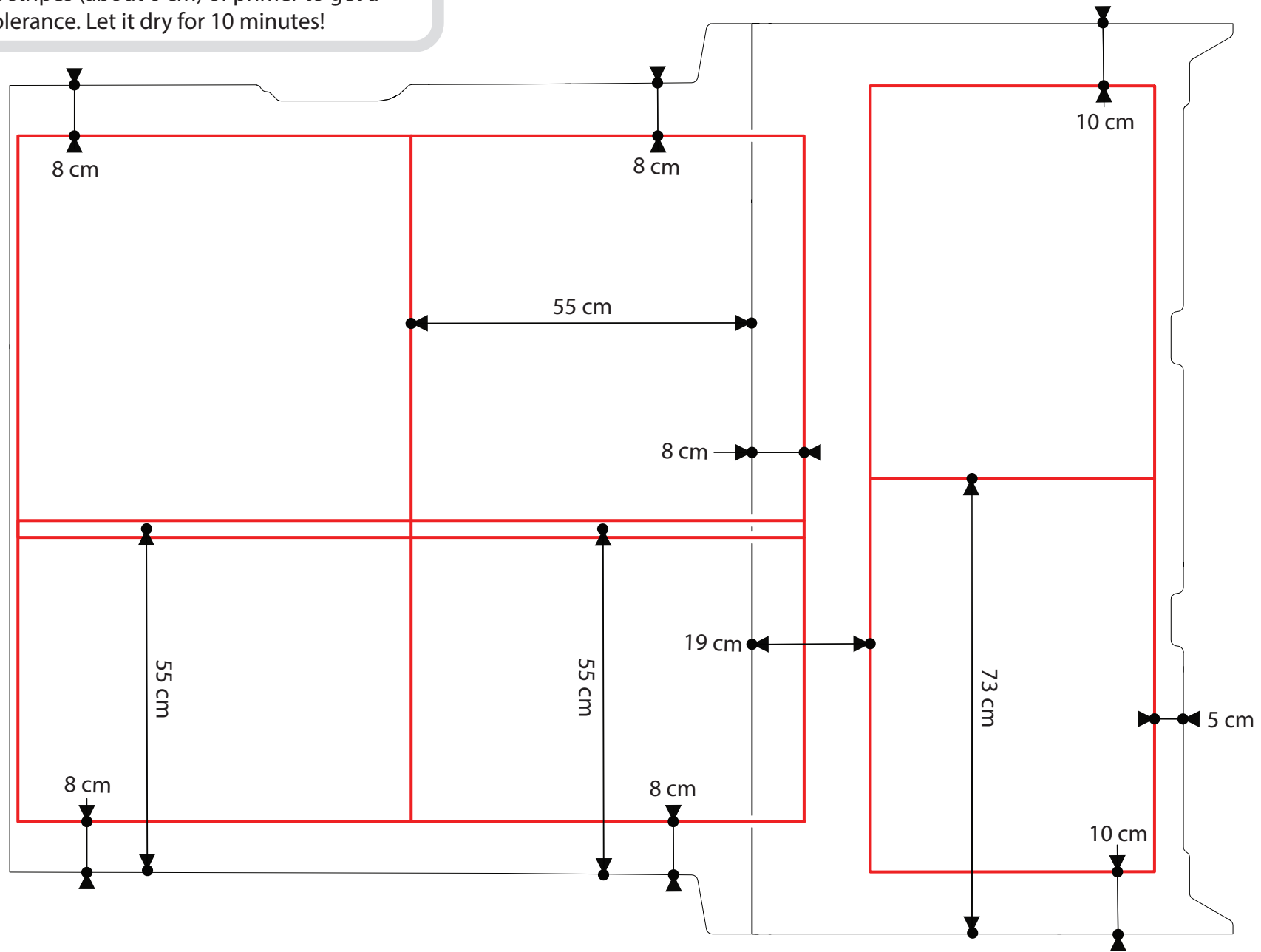


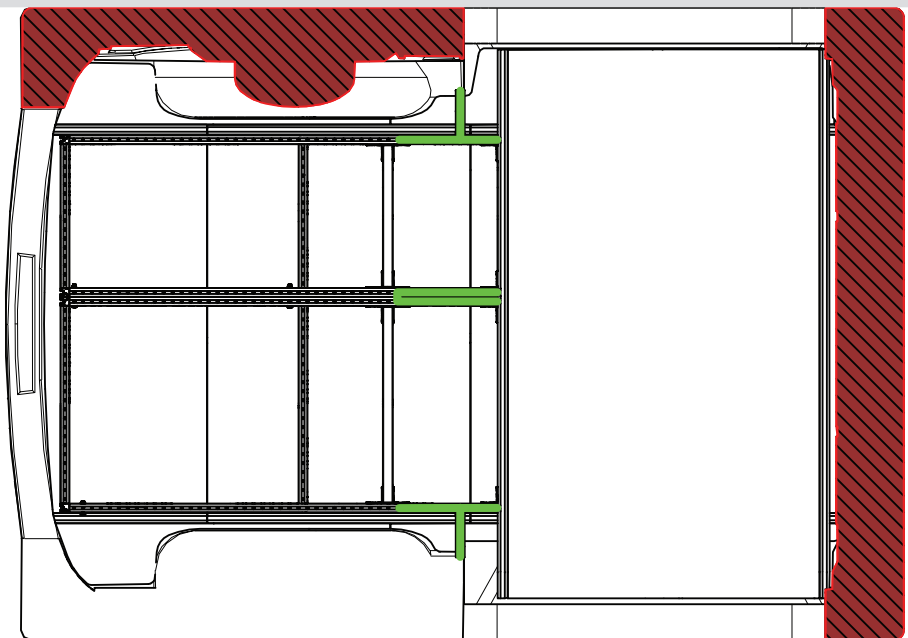
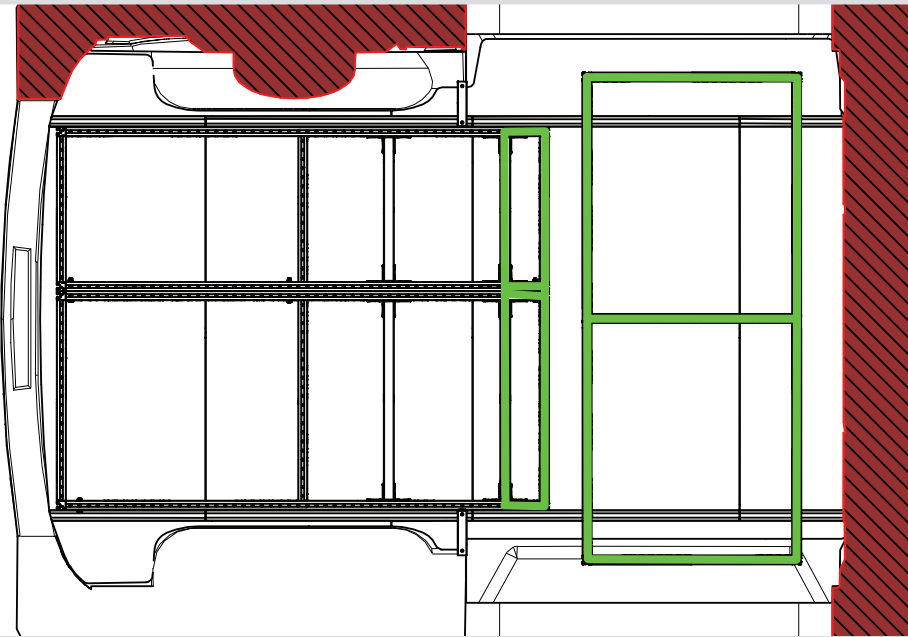
SIKA Primer  
Item no 39230



Primer sponge  
Item no 39231

Apply primer where the floor is marked red.  
Use wide stripes (about 6 cm) of primer to get a bigger tolerance.  
Let it dry for 10 minutes!





1. Apply glue to the cages in the van
2. Start assembling from front and go backwards in the vehicle.
3. Ensure that the glue string is applied to the entire length of all cages. Make sure the shape of the glue string is according to the triangular opening in the nozzle.\*

**EQUIPMENT FOR GLUE GUN**



SIKA Glue 600 ml  
Item no 39240



Glue Nozzle  
Item no 39235



Glue Gun  
Item no 39260

**EQUIPMENT FOR GLUE STATION**



Glue Barrel - 23L  
Item no 39264



Glue Nozzle  
Item no 39267



SIKA Booster  
Item no 39265



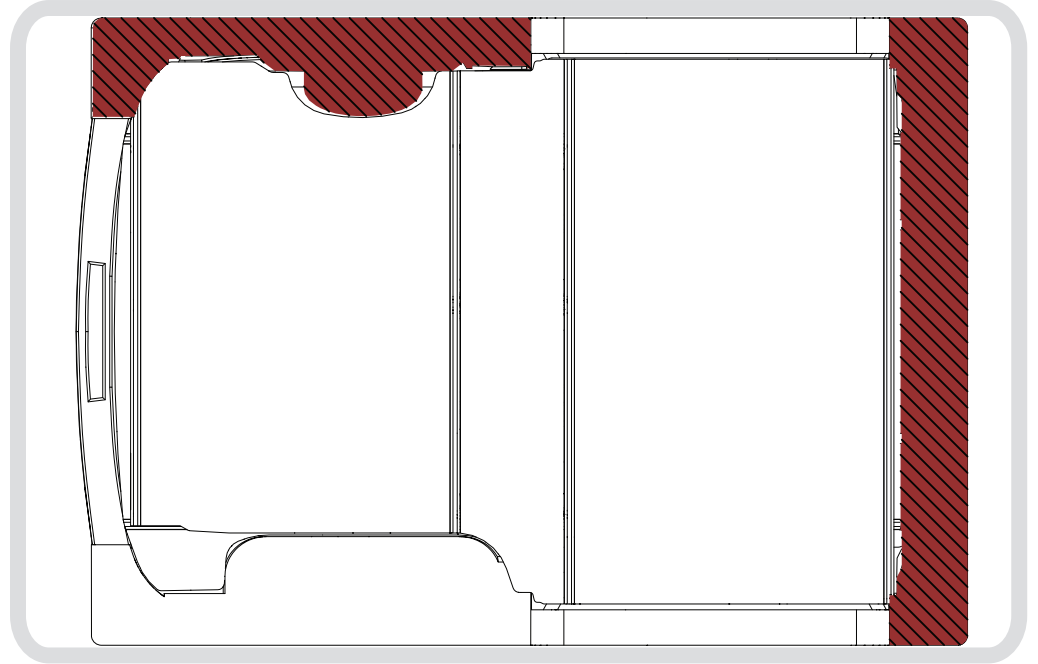
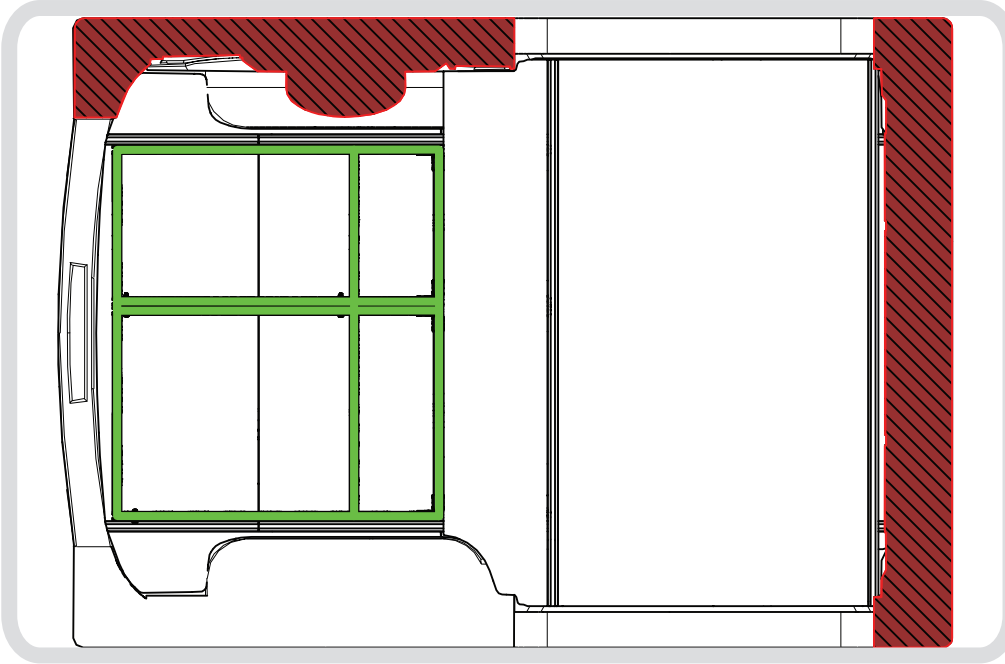
Mixer Tube  
Item no 39266

\*



**SAFETY GEAR FOR GLUE**





Opening time 30 min  
 Curing time 90 min (start installation of Modul-System)  
 Vehicle on the road 24h