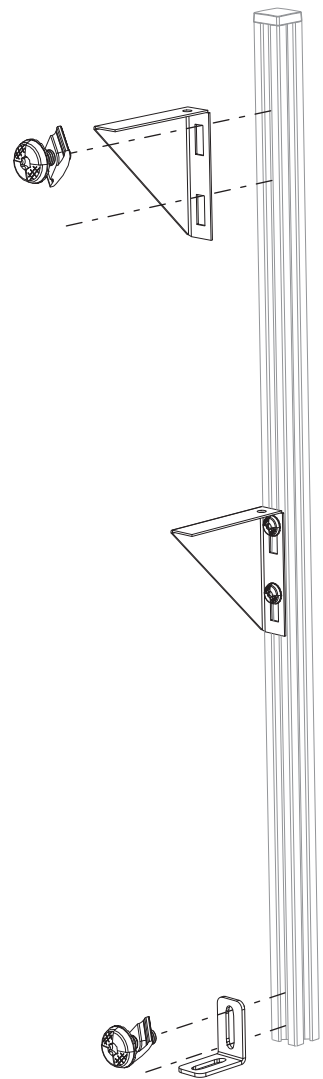


1



6x (M6 x 16)

2



1x (M6 x 12)

